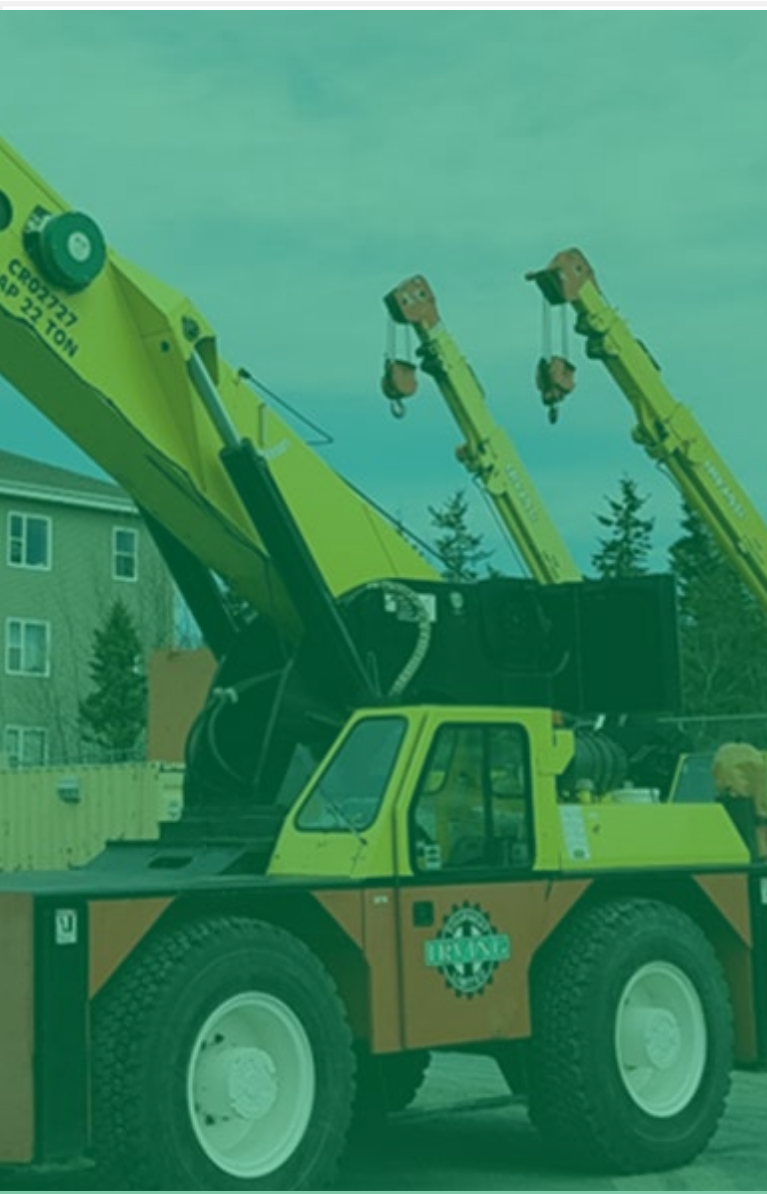




GROVE YB7720XL (22T)



## EQUIPMENT SPECIFICATIONS



**WITHOUT  
QUESTION**

[WWW.IRVINGEQUIPMENT.COM](http://WWW.IRVINGEQUIPMENT.COM)



# WITHOUT QUESTION

**IRVING EQUIPMENT LIMITED**  
 1-800-561-CRANE (2726)  
[WWW.IRVINGEQUIPMENT.COM](http://WWW.IRVINGEQUIPMENT.COM)

## INFO

### IDENTIFICATION

Asset Number	CR272
Crane Make	Grove
Crane Model	YB7720XL
Type	22T Carrydeck
Serial Number	320714

### DIMENSIONS

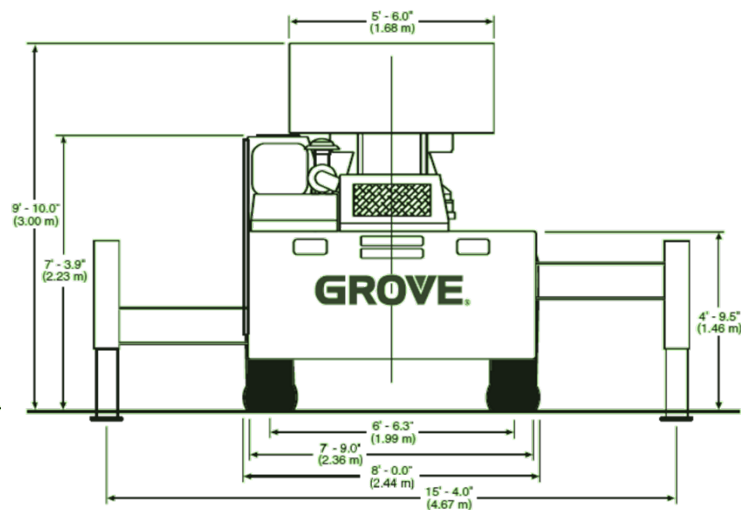
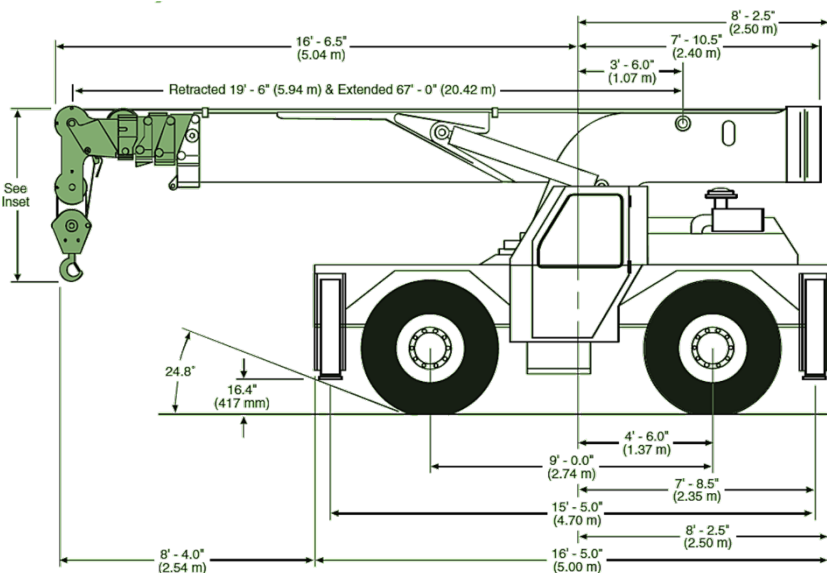
Overall length of carrier	16'5"
Overall width of carrier	8'0"
Transportation height	9'10"
Fullspan outriggers c-c	15'4"
Outriggers, front to rear spacing	15'5"
Outriggers, front to rear spacing	30'6"
Axle spacing	9'0"
Center Rot. to rear bumper distance	8'-2.5"
Center Rot. to front bumper distance	8'-2.5"
Overall length, w/boom retracted	24'9"
Top of head sheave to underhook	Adjust: 58.49" – 78.37"
Tailswing	7'-10.5"
Deck height	4'-9.5"
No. dolly axles	N/A

### OPERATOR FEATURES

60ft <sup>2</sup> deck w/30,000lb carrying capacity
Up to 30,000lb 'on rubber' chart
2-position, beam style outriggers
Enclosed cab w/heater & defrost
LMI System & Rated Capacity Limiter

### PERFORMANCE INFO

Slewing speed	2.5rpm, continuous rot.
Fixed jib, length options	17' (92' max tip height)
Fixed jib, offset angles	30° or 60° offset
2-sheave, 4-position boom nose	0°, 30°, 60°, 80°
Main boom max. length	67' (76' tip height)
Max underhook height with jib	88'
Gradeability	55.4%
Travel Speed	19.5mph (31.3kmh)
Steer Type	4 wheel steer
No. Winches	1
Line Pull, winch 1	23,605lb, 440'/min
Hook block	2-sheave, quick-reeve
Gradeability	55.4% unloaded, 38% loaded
Drive type	4wd





**WITHOUT  
QUESTION**

**IRVING EQUIPMENT LIMITED**  
1-800-561-CRANE (2726)  
**WWW.IRVINGEQUIPMENT.COM**

**CAPACITY/RANGE INFO**

MAIN BOOM LOAD RATINGS ON OUTRIGGERS Extended and Down 360° or Retracted and Down Front/Rear										
Radius (ft)	19.5 ft BOOM		31.0 ft BOOM		43.0 ft BOOM		55.0 ft BOOM		67.0 ft BOOM	
	Boom Angle (deg)	Rated Load (lbs)	Boom Angle (deg)	Rated Load (lbs)	Boom Angle (deg)	Rated Load (lbs)	Boom Angle (deg)	Rated Load (lbs)	Boom Angle (deg)	Rated Load (lbs)
10	52	40000	68	26500	74	25400	78	19500	-	-
12	44	33800	64	25300	72	24200	76	17600	78	14500
14	33	28500	59	22900	69	22600	74	16100	77	13200
16	0	23700	55	20900	66	20000	71	14800	75	12200
18	-	-	50	19300	63	17900	69	13700	73	11200
20	-	-	45	17800	60	16100	67	12800	71	10400
22	-	-	39	16400	56	14600	64	12000	69	9700
24	-	-	31	14700	53	13300	62	11200	67	9100
26	-	-	22	13200	49	12300	60	10600	66	8600
27.5	-	-	0	11600	47	11600	58	10200	64	8200
30	-	-	-	-	42	10500	55	9400	62	7700
32	-	-	-	-	37	9800	52	8700	60	7300
34	-	-	-	-	32	8700	49	8100	58	6900
36	-	-	-	-	26	7800	46	7600	56	6600
38	-	-	-	-	18	7000	43	7100	53	6300
39.5	-	-	-	-	0	6400	41	6800	52	6100
42	-	-	-	-	-	-	36	6300	49	5800
44	-	-	-	-	-	-	32	5800	47	5600
46	-	-	-	-	-	-	28	5300	44	5300
48	-	-	-	-	-	-	23	4800	42	5000
50	-	-	-	-	-	-	16	4400	39	4700
51.5	-	-	-	-	-	-	0	4000	37	4600
54	-	-	-	-	-	-	-	-	33	4200
56	-	-	-	-	-	-	-	-	29	3900
58	-	-	-	-	-	-	-	-	25	3600
60	-	-	-	-	-	-	-	-	20	3300
62	-	-	-	-	-	-	-	-	14	3000
63.5	-	-	-	-	-	-	-	-	0	2800

MAIN BOOM ON RUBBER		
Any Boom Length		
Radius (ft)	Front Rating (lbs)	360° Rating (lbs)
6	30000	21000
8	28000	17900
10	25000	15000
12	19600	12400
14	15600	9900
16	12700	7700
18	10300	6300
20	8300	4900
22	6800	3900
24	5800	3100
26	4900	2500
28	4200	2100
30	3700	1800
32	3300	1550
34	3000	1300
36	2700	1100
38	2500	950
40	2200	800
42	2000	675
44	1800	550
46	1650	450
48	1400	350
50	1300	250
52	1150	200
54	1050	150
56	950	75
58	875	25
60	800	-
62	700	-
63.5	600	-

Note: For 360° rating on rubber, rear axle locks must be in place.

17 FT JIB CAPACITIES ON EXTENDED OUTRIGGERS					
Main Boom Angle (deg)	Jib Offset Angle				
	0 deg		15 deg		Any Boom Length
	To 55.0 ft Main Boom	To 67.0 ft Main Boom	To 55.0 ft Main Boom	To 67.0 ft Main Boom	
80	-	-	5000	5000	3500
75	7500	-	4400	4400	3100
70	6100	-	3900	3900	2800
65	5000	4600	3500	3500	2550
60	4300	3800	3150	3150	2350
55	3800	3300	2850	2850	2200
50	3400	2900	2600	2600	2100
45	3050	2600	2400	2400	2000
40	2800	2400	2250	2250	1950
35	2600	2150	2150	2050	1900
30	2400	1930	2080	1850	1830
25	2300	1750	2050	1720	-
20	2200	1600	2000	1590	-
15	2100	1500	1950	1520	-
10	2050	1460	-	-	-
5	2020	1450	-	-	-
0	2000	1440	-	-	-

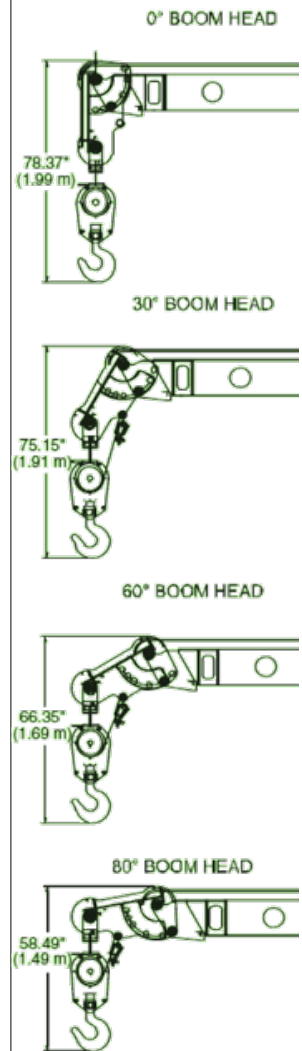
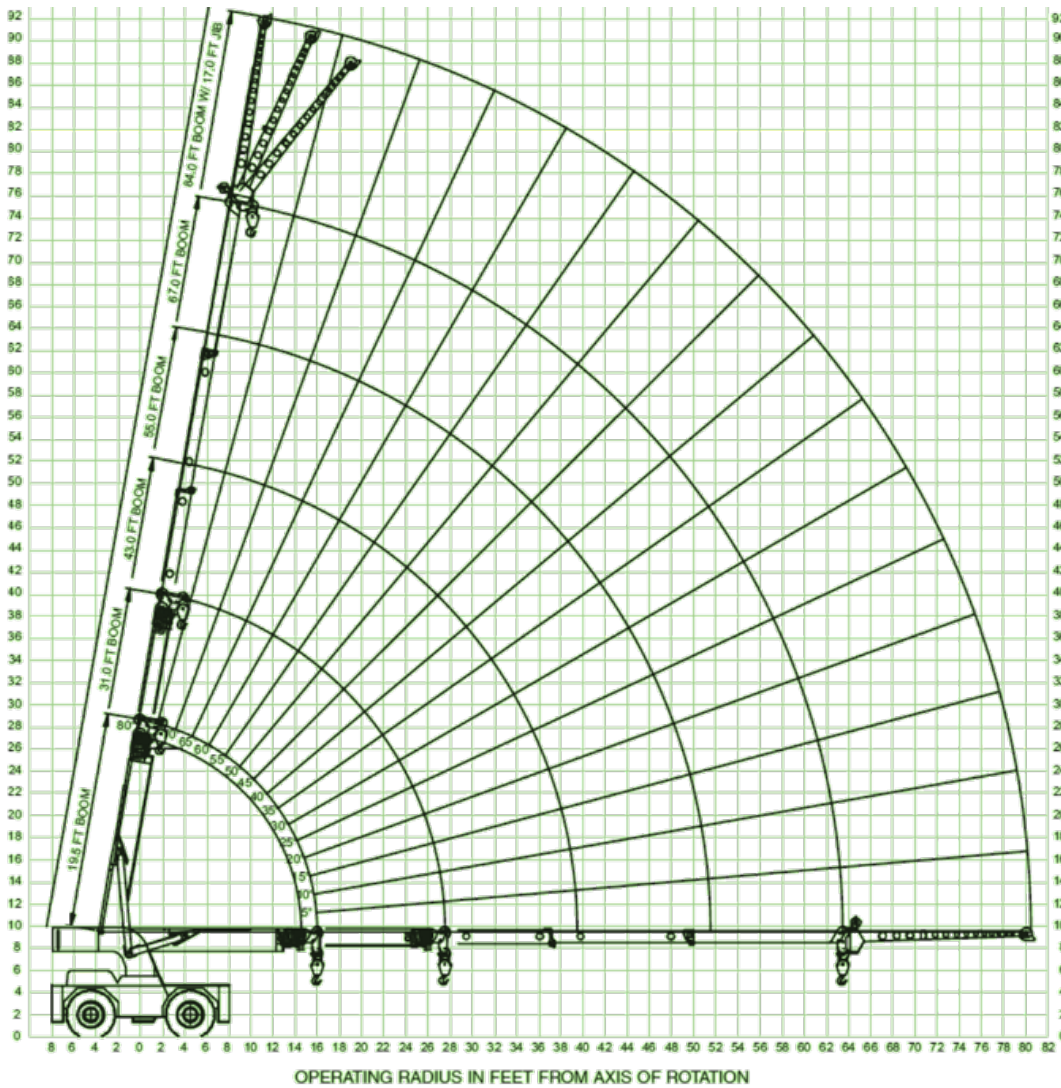




**WITHOUT  
QUESTION**

**IRVING EQUIPMENT LIMITED**  
1-800-561-CRANE (2726)  
[WWW.IRVINGEQUIPMENT.COM](http://WWW.IRVINGEQUIPMENT.COM)

## INFO



- ✓ FULL-SERVICE PROVIDER FOR CRANE RENTAL, RIGGING, AND LIFT PLANNING.
- ✓ DAILY, WEEKLY, MONTHLY RATES AVAILABLE
- ✓ DRY-LEASE AND LONG-TERM RENTALS
- ✓ OUR PURPOSE IS TO LEAVE 'NO ROOM FOR DOUBT'!