



LIEBHERR LRT1100 2.1 - [110T]

EQUIPMENT SPECIFICATIONS



**WITHOUT
QUESTION**

WWW.IRVINGEQUIPMENT.COM



**WITHOUT
QUESTION**

IRVING EQUIPMENT LIMITED
 1-800-561-CRANE (2726)
WWW.IRVINGEQUIPMENT.COM

LIEBHERR LRT1100 2.1 - [110T]

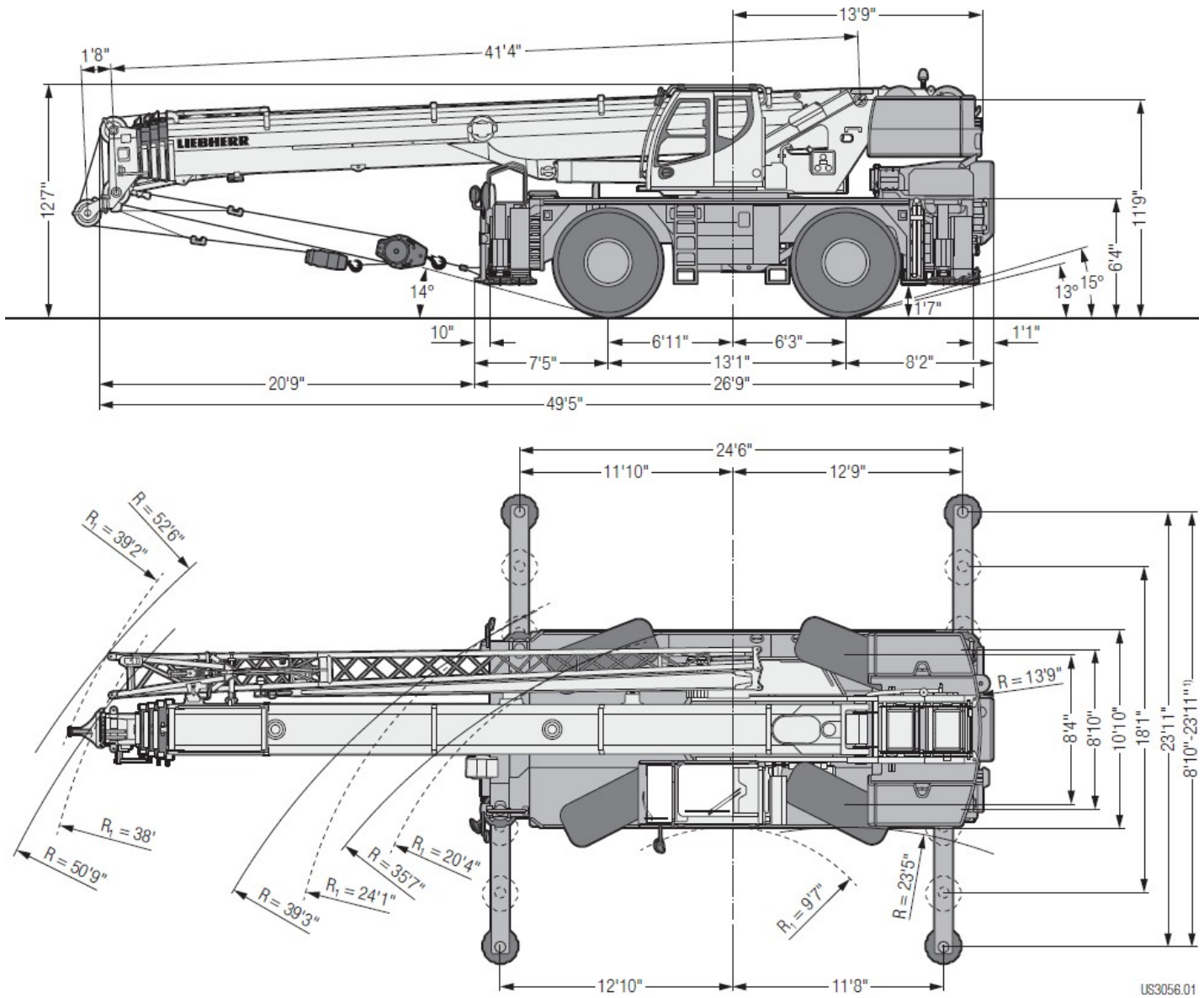
IDENTIFICATION	
Asset Number	CR317
Crane Make	Liebherr
Crane Model	LRT1100 2.1
Type	Rough Terrain
Serial Number	054326
DIMENSIONS	
Overall length	28'6"
Overall width of carrier	10'10"
Transportation height	12'7"
Fullspan outriggers c-c	23'11"
Midspan outriggers c-c	18'1"
Outriggers, front to rear length	24'6"
Tailswing radius	13'9"
Center Rot. to rear bumper distance	14'5"
Center Rot. to front bumper distance	14'4"
Operational weight, w/CTWT, jib, ball, 3-sheave clock	121,117lbs
Transportation weight	84,582lbs
No. axles	2
Dolly?	N/A
No. dolly axles	N/A
OPERATOR FEATURES	
Extra-wide operator's cab	Automatic levelling
20-degree tilting upper cab	Vario-base Outriggers
Extrudable running boards	ECO mode
Flat deck for sure footing.	
TRANSPORT INFO	
Full counterweight	30,900lbs
Fixed jib, length options	34' – 62'
Fixed jib, offset angles	0o, 20o, 40o
Luffing jib, max length	
Main boom max. length	164'
ONBOARD EQUIPMENT	
Travel Speed	15.5mph
Drive type	4WD
No. Winches	2
Line Pull, winch 1	14,162lb, 456'/min
Line Pull, winch 2	14,162lb, 456'/min



**WITHOUT
QUESTION**

IRVING EQUIPMENT LIMITED
1-800-561-CRANE (2726)
WWW.IRVINGEQUIPMENT.COM

LIEBHERR LRT1100 2.1 - [110T]



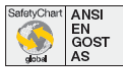


WITHOUT QUESTION

IRVING EQUIPMENT LIMITED
 1-800-561-CRANE (2726)
WWW.IRVINGEQUIPMENT.COM

LIEBHERR LRT1100 2.1 - [110T]

CAPACITY/RANGE INFO



	41 ft	57 ft	72 ft	87 ft	103 ft	118 ft	134 ft	149 ft	164 ft	
8	220**									8
10	169.7*									10
15	131	123.3	118.2							15
20	107.8	103	97.9	90.2						20
25	82.4	82.8	77	67.9	66.7	42.4				25
30	63.1	62.6	58.7	54.5	50.2	34.5	35.2			30
35		47.9	46.8	43.4	40.2	31.1	29.9	30.2	23.6	35
40		37.6	37.4	35.6	32.9	28.3	27.3	26.6	22.2	40
45		30.5	30.3	29	27.5	25.9	24.9	24.7	20.7	45
50			26.3	23.7	22.8	23.6	22.9	22.9	19.1	50
55			22.7	19.7	19.5	21.9	21	20.9	17	55
60			19.5	16.4	17.7	19.7	18.9	18.2	14.6	60
65			15.2	13.8	16.4	17	16.3	15.5	12.4	65
70				11.7	14.9	14.8	14	13.3	10.7	70
75				10	13.1	12.9	12.2	11.5	9.3	75
80				8.8	11.4	11.3	10.6	10	8.2	80
85					10.1	10	9.4	8.9	7.3	85
90					9.1	9	8.4	7.9	6.4	90
95					8.4	8.1	7.6	7.1	5.7	95
100						7.4	6.8	6.4	5.1	100
105						6.7	6.2	5.7	4.5	105
110						6.2	5.6	5.1	4	110
115							5	4.6	3.1	115
120							4.6	4.1	2.6	120
125							4.2	3.7	2.3	125
130								3.3	2.3	130
135								3	1.9	135
140								2.6	1.9	140

* only with additional pulley block/ seulement avec moufle additionnel

** only with additional special equipment/ seulement avec equipment supplémentaire

L_273_00011_00_002



	41 ft		57 ft		72 ft		87 ft		103 ft		118 ft		134 ft		149 ft		164 ft			
	0°	20°	40°	0°	20°	40°	0°	20°	40°	0°	20°	40°	0°	20°	40°	0°	20°	40°		
10	7.9																		10	
15	8.3																		15	
20	8.2						8		7.9										20	
25	8						8.3		8.1										25	
30	7.6	6.6					8.2		8.3		8.2		7.7						30	
35	7.4	6.6					8.2		8.3		8.3		7.8		7.1				35	
40	7.1	6.5					7.7	6.6	8.1		8.2		7.9		7.2			6.4	40	
45	6.8	6.2					7.5	6.6	7.9	6.6	8.1		7.8		7.3			6.5	45	
50	6.5	5.9	5.3	6.9	6.2	5.3	7.2	6.4	7.5	6.5	7.7	6.5	7.6		7.3			6.6	50	
55	6.2	5.7	5.2	6.7	6	5.3	7	6.2	7.3	6.3	7.5	6.4	7.5	6.1	7.4	6.1	7.2	6	6.6	55
60	5.9	5.5	5.1	6.4	5.8	5.1	6.8	5.9	7.1	6.1	7.2	6	7.3	6	7.2	5.9	7	5.9	6.6	60
65	5.5	5.4	5	6.2	5.6	5	6.6	5.8	6.9	5.9	7.2	6	7.1	5.8	7	5.8	6.9	5.8	6.5	65
70	5.1	5.2	4.9	5.9	5.4	4.9	6.4	5.6	6.7	5.7	7.1	6	7.1	5.7	6.7	5.7	6.7	5.7	6.4	70
75	4.8	5	4.8	5.6	5.3	4.9	6.2	5.4	6.5	5.6	7	5	6.6	5.6	6.5	5.6	6.5	5.6	6.3	75
80	4.5	4.7	4.8	5.2	5.1	4.8	5.9	5.3	6.3	5.5	6.9	6.6	6.4	5.5	6.9	6.4	5.5	4.9	6.2	80
85	4.2	4.4	4.6	4.9	5	4.8	5.6	5.2	6.1	5.3	6.9	6.4	6.2	5.4	6.8	6.2	5.3	4.8	6.1	85
90	4	4.1	4.3	4.7	4.7	4.8	5.3	5.1	5.9	5.2	6.8	6.2	6.1	5.3	6.6	6.1	5.3	4.8	6	90
95	3.8	3.9		4.4	4.5	4.6	5	4.8	5.6	5.1	6.8	6.2	5.9	5.2	6.7	5.9	5.2	4.7	5.9	95
100				4.2	4.3	4.4	4.8	4.8	5.4	5	6.8	6.2	5.8	5.1	6.7	5.8	5.1	4.7	5.7	100
105				4	4.1		4.6	4.6	5.1	4.9	6.8	6.2	5.6	5	6.7	5.7	5.1	4.7	5.4	105
110				3.8	3.9		4.3	4.4	4.5	4.9	6.8	6.2	5.5	4.9	6.7	5.5	5	4.7	4.9	110
115							4.7	4.6	5.2	4.9	6.7	6.1	5.4	4.9	6.7	5	4.9	4.7	4.3	115
120							4	4	4.5	4.4	6.7	6.1	5.2	4.9	6.7	4.5	4.9	4.7	3.8	120
125							4.3	4.3	4.4	4.8	6.7	6.1	4.5	4.8	6.7	4	4.7	4.7	3.4	125
130							4	4.1	4.6	4.5	6.5	6.1	4.7	4.8	6.7	4.1	4.6	4.7	2.9	130
135							3.7	3.9	4.4	4.4	6.4	6.1	4.3	4.6	6.7	3.7	4.3	4.6	2.5	135
140									4.2	4.2	6.2	6.1	3.9	4.3	6.5	3.4	3.8	4.2	2.1	140
145									3.9	4.1	6.1	6.1	3.6	3.9	6.3	3	3.5	3.8	1.7	145
150									3.3	3.6	5.9	6.1	3.3	3.6	5.7	2.7	3.1	3.4	1.3	150
155									3	3.3	5.7	6.1	3	3.3	5.5	2.4	2.8	3	1.8	155
160									2.7	3	5.5	6.1	2.7	3	5.3	2.1	2.5	2.7	1.3	160
165									2.4	2.6	5.3	6.1	2.4	2.6	5.1	1.8	2		1.4	165
170											5.1	6.1	2.2		4.9	1.5	1.8			170
175																				175

L_273_00211_00_001



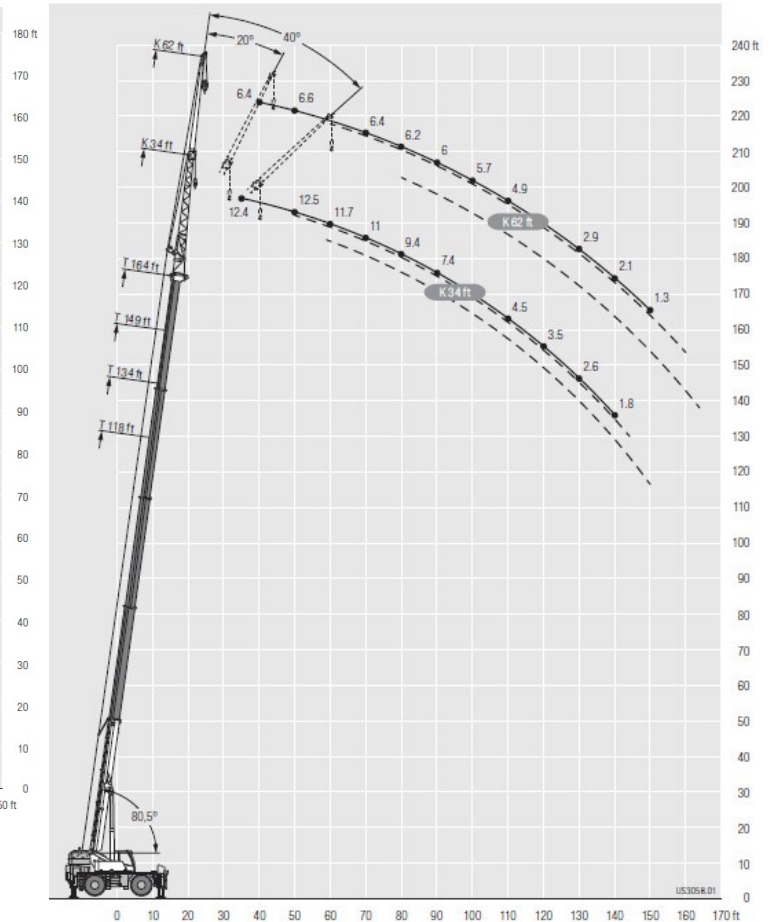
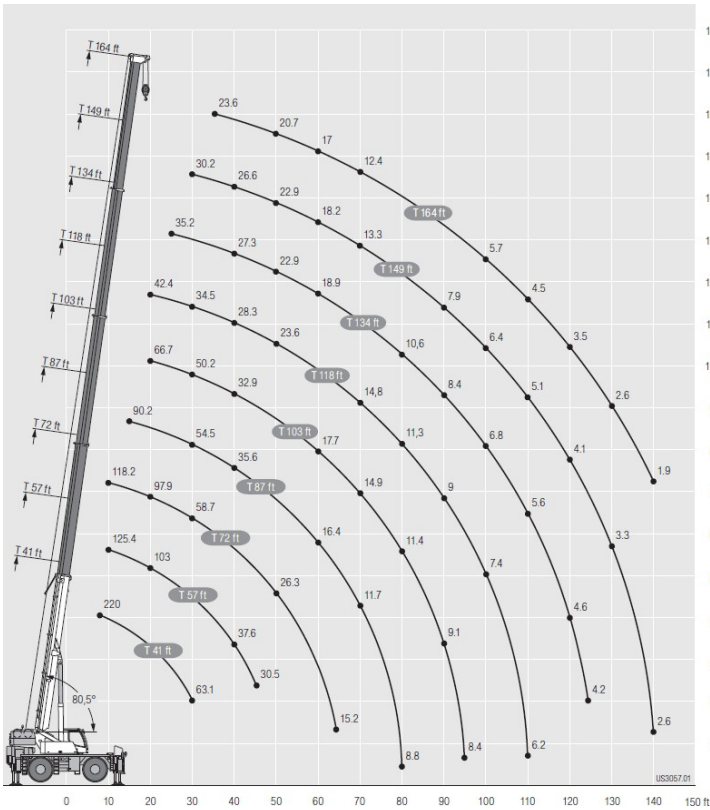


**WITHOUT
QUESTION**

IRVING EQUIPMENT LIMITED
 1-800-561-CRANE (2726)
WWW.IRVINGEQUIPMENT.COM

LIEBHERR LRT1100 2.1 - [110T]

CAPACITY/RANGE INFO



- ✓ FULL-SERVICE PROVIDER FOR CRANE RENTAL, RIGGING, AND LIFT PLANNING.
- ✓ DAILY, WEEKLY, MONTHLY RATES AVAILABLE
- ✓ DRY-LEASE AND LONG-TERM RENTALS
- ✓ OUR PURPOSE IS TO LEAVE 'NO ROOM FOR DOUBT'!